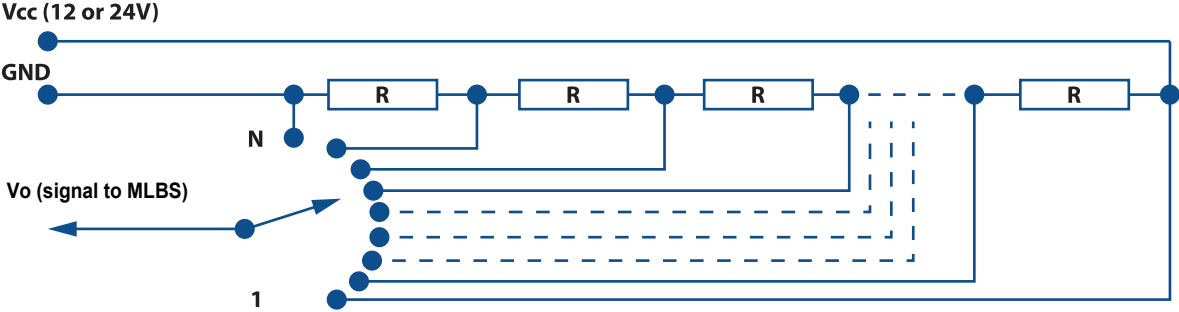


Multi Level Binary Selector (MLBS) for voltage input



Multi Level Binary Selector (MLBS) for the current input

